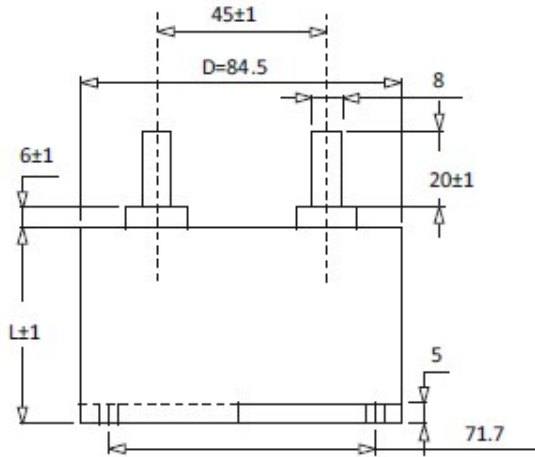


干式结构, 塑壳封装, 螺纹式端子引出直流滤波电容器

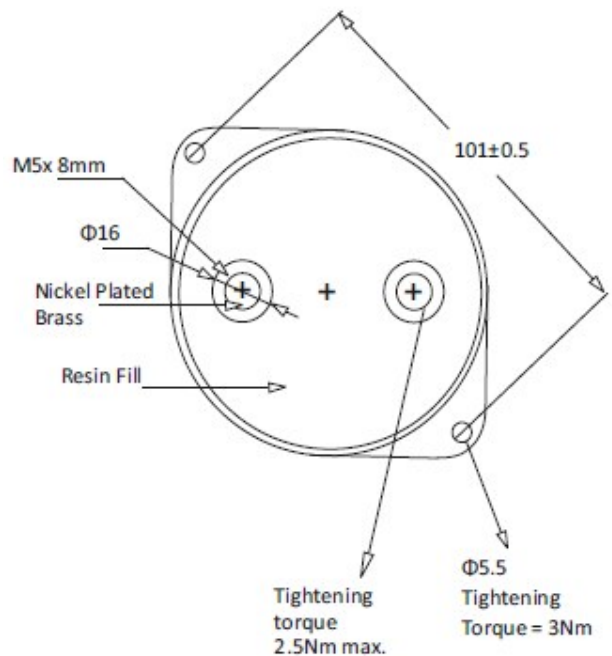
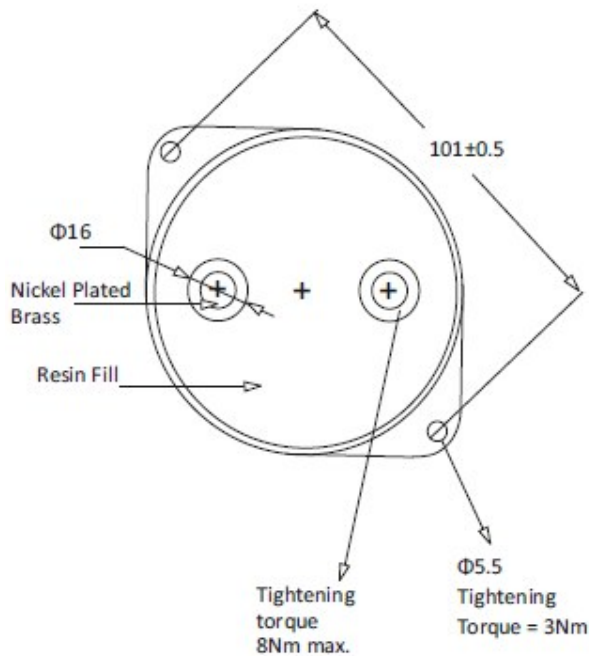
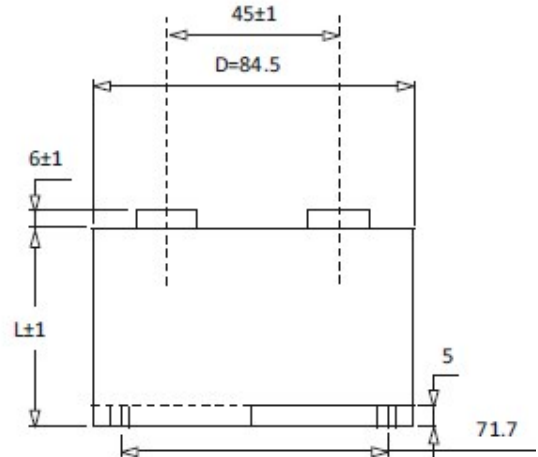
DC-link Film Capacitor (Dry-construction ,Plastic case , Radial type with screw connection)

■ 外形图 Outline Drawing

Male screw terminals



Female screw terminals



** For inquiry of items out of above range or with special dimensions. Please do not hesitate to contact with us for availability.
不在本目录范围内的特殊规格或尺寸需求, 可联系我们依要求设计。

■ 特点

- 金属化聚丙烯膜,无感卷绕结构
- 等效串联电阻小,自感小,能承受较大的纹波电流
- 阻燃塑料外壳,热固型树脂封装
- 长寿命

■ 典型应用

- 风能、太阳能逆变器,
- 焊接设备,感应加热,电机驱动

■ Features

- Metalized Polypropylene film, non-inductive wound construction
- Low ESR, Low Ls, high ripple current handling capabilities.
- Flame retardant plastic case. Filled with thermosetting resin.
- Long life time

■ Type Application

- Wind& Solar power Inverter
- Welders, Induction heaters Motor Driver systems

■ 技术要求 Specifications

引用标准 Reference Standard	GB/T17702, IEC 61071
气候类别 Climatic Category	40/85/56
额定温度 Rated Temperature	85°C
工作温度范围 Operating Temperature Range	-40°C ~ +105°C (+85°C to +105°C: decreasing factor 1.5% per °C for U_N , 85°C)
额定电压 Rated Voltage	500Vdc, 700Vdc, 900Vdc, 1100Vdc
容量范围 Capacitance range	15 μ F ~ 300 μ F
容差 Capacitance tolerance	$\pm 5\%$ (J), $\pm 10\%$ (K)
Dissipation factor (Tan δ) 损耗角正切值	$\leq 2 \times 10^{-3}$ Measured at 100Hz and 20 $\pm 5^\circ$ C
耐电压 Voltage Proof (20 $\pm 5^\circ$ C)	1.5 $\times U_N$ (DC), 10s (端子间 between terminals)
	3000VAC/50Hz for 60s (极壳间 Between Terminals And Case)
自感 (Ls) Self Inductance(Ls)	≤ 50 nH
绝缘阻抗 Insulation Resistance	≥ 5000 s (at 100VDC, 60s, 20~25°C)
最大峰值电流 \hat{I} (A)	$\hat{I} = C \cdot dV/dt$
可靠度 Reliability	工作寿命 Operation life time $\geq 100\ 000$ h at U_N , $\theta_{hs} \leq 70^\circ$ C
	失效率 Failure rate ≤ 50 FIT

DLR



DC-Link Applications

产品代码说明 Product Code System

■ 产品料号由20位数字组成，如下：

For example: The part number, comprising 20 digits, is formed as follows.

1	2	3	4	5	6	7	8	9	10	11	12	13	14	15	16	17	18	19	20
G	L	R	1	7	7	J	2	H	D	1	9	F	0	E	2	9	0	0	0

第1位	公司代码 G	Digit 1	Company Code G
第2~3位	产品系列代码 DLR(代码)=LR	Digit 2 to 3	Product series Code DLR =LR
第4~6位	容值代码 举例：107=10×10 ⁷ pF=100μF	Digit 4 to 6	Rated capacitance value For example : 107=10×10 ⁷ pF=100μF
第7位	容量偏差代码 J=±5% ,K=±10%,	Digit 7	Capacitance tolerance Code J=±5% , K=±10%
第8~9位	额定电压代码 2H=500V,2M=700V,2X=900V 2N=1100V	Digit 8 to 9	Rated voltage Code 2H=500V,2M=700V,,2X=900V 2N=1100V

第10~11位 外形尺寸代码

Digit 10 to 11 Dimension code

ØD	L	Dimension code
85	41	D1
85	51	D2
85	65	D3
85	79	D4
115	51	D5
115	65	D6

第12位	内部使用码	Digit 12	Design code (only internal use)
第13~14位	引出端代码 Screw Male terminals = M0 Screw Female terminals=F0	Digit 13 to14	screw terminals code 螺孔式=M0 螺栓式=F0

第15~16位 安装形式代码

Digit 15 to 16 Fixing style code

Fix style	code
无安装耳 No mounting ear	E0
底部单安装耳 Single mounting ear in the bottom	E1
底部双安装耳 Double mounting ear in the bottom	E2
圆柱形铝壳无安装螺栓 Cylindrical AL-case without bolt	A0
圆柱形铝壳有安装螺栓 Cylindrical AL-case with bolt	A1

第17位 内部使用码 Digit 17 Design code (only internal use)

第18~20位 产品版本识别码 Digit 18 to 20 product ID of version

** For inquiry of items out of above range or with special dimensions. Please do not hesitate to contact with us for availability.
不在本目录范围内的特殊规格或尺寸需求，可联系我们依要求设计。



KWOKTRAN

DLR
DC-Link Applications

■外形尺寸 Dimensions(mm)

U _N : 500Vdc, U _s : 750Vdc ;U _r : 150vac									
C _R	Diameter	Length	L _s	R _{th}	dv/dt	E.SR@1.0KHz	I _{rms} (A)		Part Number
uF	±2	±1	(nH)	(K/w)	V/us	(mΩ)	60°C	85°C	
170	85	41	25	6.8	37	1.1	90	64	GLR177*2HD1▲●●E2▲□□□
200	85	51	32	5.9	25	1.2	90	65	GLR207*2HD2▲●●E2▲□□□
275	85	65	40	5.0	16	1.5	85	60.5	GLR277*2HD3▲●●E2▲□□□
350	115	51	32	4.1	25	1.3	93	66	GLR357*2H5▲●●E2▲□□□
500	115	65	40	3.5	25	1.3	100	75	GLR507*2HD6▲●●E2▲□□□

U _N : 700Vdc, U _s : 1050Vdc ;U _r : 200vac									
C _R	Diameter	Length	LS	Rth	dv/dt	E.SR@1.0KHz	I _{rms} (A)		Part Number
uF	±2	±1	(nH)	(K/w)	V/us	(mΩ)	60°C	85°C	
100	85	41	25	6.8	48	1.1	88	58	GLR107*2MD1▲●●E2▲□□□
150	85	51	32	5.0	32	1.4	89	59	GLR157*2MD2▲●●E2▲□□□
220	85	65	40	5.5	20	1.5	85	61	GLR227*2MD3▲●●E2▲□□□
250	115	51	32	4.1	32	1.4	90	64	GLR257*2MD5▲●●E2▲□□□
350	115	65	40	3.5	20	1.4	100	76	GLR357*2MD6▲●●E2▲□□□

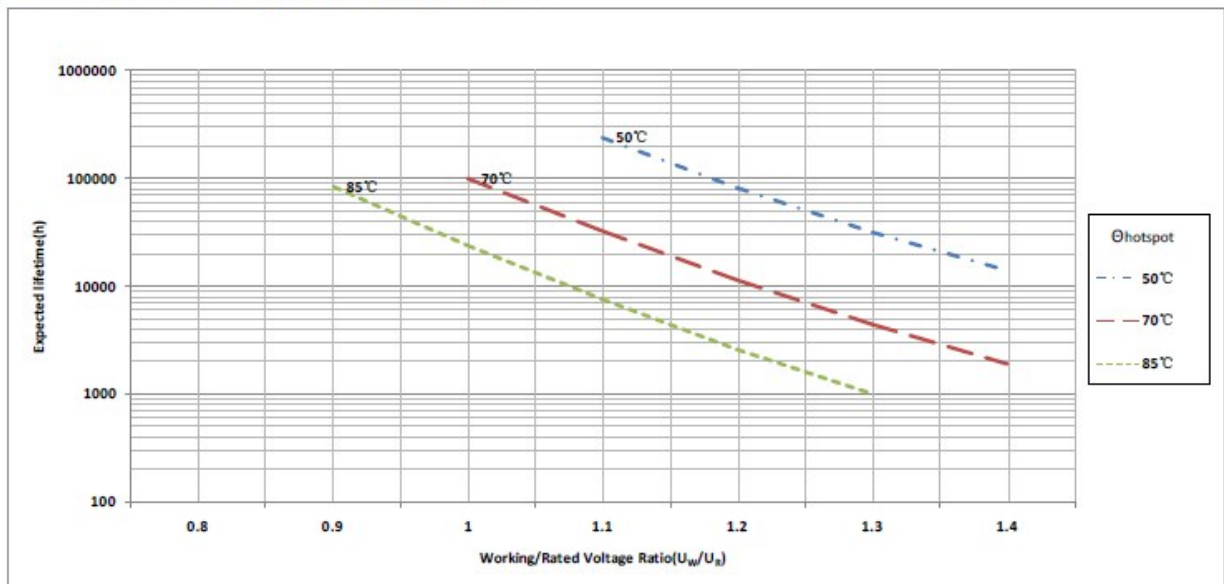
U _N : 900Vdc, U _s : 1350Vdc ;U _r : 250vac									
C _R	Diameter	Length	L _s	R _{th}	dv/dt	E.SR@1.0KHz	I _{rms} (A)		Part Number
uF	±2	±1	(nH)	(K/w)	V/us	(mΩ)	60°C	85°C	
66	85	41	25	6.8	56	1.2	80	54	GLR666*2XD1▲●●E2▲□□□
100	85	51	32	5.5	37	1.5	80	54	GLR107*2XD2▲●●E2▲□□□
140	85	65	40	5.0	25	1.6	75	50	GLR147*2XD3▲●●E2▲□□□
200	115	51	32	4.1	37	1.4	93	66	GLR207*2XD5▲●●E2▲□□□
300	115	65	40	3.5	25	1.4	97	65	GLR307*2XD6▲●●E2▲□□□

** For inquiry of items out of above range or with special dimensions. Please do not hesitate to contact with us for availability.
不在本目录范围内的特殊规格或尺寸需求，可联系我们依要求设计。

■外形尺寸 Dimensions(mm)

U _N : 1100Vdc, U _s : 1650Vdc ;U _r : 300vac									
C _R	Diameter	Length	L _S	R _{th}	dv/dt	E.SR@1.0KHz	I _{rms} (A)		Part Number
uF	±2	±1	(nH)	(K/w)	V/us	(mΩ)	60°C	85°C	
47	85	41	25	6.8	73	1.3	62	38	GLR476*2ND2▲●●E2▲□□□
68	85	51	32	5.5	49	1.6	64	45	GLR686*2ND2▲●●E2▲□□□
100	85	65	40	4.1	33	1.7	65	46	GLR107*2ND3▲●●E2▲□□□
120	115	51	32	3.5	49	1.4	56	40	GLR127*2ND5▲●●E2▲□□□
180	115	65	40	3.5	33	1.5	50	35	GLR187*2ND6▲●●E2▲□□□

■预期寿命曲线 Expected lifetime curveve



备注:

- "*" 表示容量误差。 "▲" = capacitance tolerance code, J=±5%, K=±10%, M=±20%.
- "▲" 表示内部特征码 "■" = Internal use.
- "●●" 表示引出端代码 "●●" = screw terminals code
- "□□□" 表示产品版本识别码 "□□□" = product ID of version
- "I_{max}" 是指在环境温度下的最大电流有效值。在这种条件下,热点温度将达到最大值。
"I_{max}" = Maxium r.m.s current at θ_{amb}. θ_{hs} will reach the maximum value on this condition.
- "R_{th}" 是指在白然冷却条件下, 电容器热点到环境的热阻。
R_{th} = R_{th} between hot spot and ambient on natural cooling condition.
- θ_{ehs} = θ_{amb} + I_{rms}² × ESR × R_{th}.

** For inquiry of items out of above range or with special dimensions. Please do not hesitate to contact with us for availability.
不在本目录范围内的特殊规格或尺寸需求, 可联系我们依要求设计。